



# Midmark Hydraulic Column Surgery Table Manual

## Hydraulic V-Top & Flat-Top Surgery Tables



<b>Table of Contents</b>	
Unpacking . . . . .	2
Specifications . . . . .	2
Installation . . . . .	2
Flat-Top Parts Identification . . . . .	3
V-Top Parts Identification . . . . .	4
Features/Operation. . . . .	4-6
Troubleshooting . . . . .	6
Care & Cleaning . . . . .	6
Accessories . . . . .	7
Product Warranty . . . . .	8

# User's Guide

# Unpacking

---



## **WARNING**

Do not move surgery table by yourself. Improper handling may result in injury or damage to the product.

## **Note**

Save all packaging until certain you are satisfied with the product.

Thank you for purchasing The Midmark Hydraulic Column Surgery Table!

Open packages carefully. Inspect the shipping carton and contents for any visible damage.

## Specifications

---

V-Top Surgery Table with Hydraulic Column:

Height: Adjusts 33 1/2" to 39 1/2"

Width: 20 1/4"

Length: 50" or 60"

Flat-Top Surgery Table with Hydraulic Column:

Height: Adjusts 32 1/2" to 38 1/2"

Width: 22 1/8"

Length: 50" or 60"

Electrical: Operates on standard 110 VAC if ordered with optional heated top.  
The hydraulic column will lift up to 300 lbs.

## Installation

---

The Midmark Hydraulic Column Surgery Table arrives pre-assembled. Remove table from packaging and place in position. Use a four-wheeled furniture cart to move table. If a cart is not available, use care when lifting and carrying table.

### **V-Top Surgery Table:**

1. When moving V-top surgery table, NEVER lift table by V-panels! If table is equipped with the adjustable column, lower table top to lowest position. The table arrives in the lowest position. Refer to "Features/Operation", for adjusting instructions.
2. Remove drainage reservoir and drain trough from table. Lift table by grasping polished stainless steel support frame. Do NOT use the tie-down adjusting rails as handles!

The hydraulic column will fully extend as table is lifted. Lift and move with caution. The hydraulic column will return to normal operating position when table is placed on floor and not being lifted.

### **Flat-Top Surgery Table:**

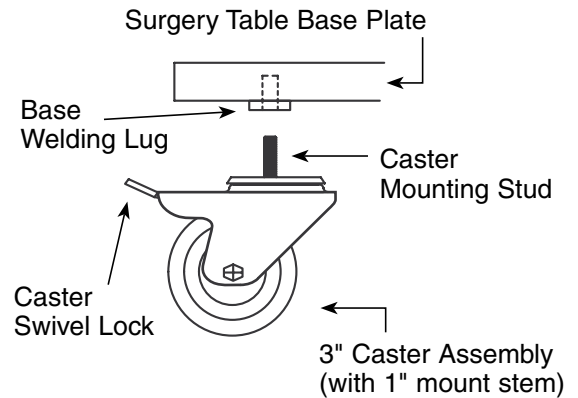
1. Lift table by picking up the table top. Do NOT use the tie-down adjusting rails as handles!  
  
The hydraulic column will fully extend as table is lifted. Lift and move with caution. The hydraulic column will return to normal operating position when table is placed on floor and not being lifted.
2. Position table to allow plenty of space on all sides. 50" V-top surgery tables should be placed at least 50" from the wall nearest the uphill end, and 60" V-top tables at least 60" away, to allow easy drain trough removal for cleaning. Surgery tables equipped with the heated top option need to be within reach of a standard power outlet.
3. After table is in position, snap non-skid rubber pads over metal adjusting feet.
4. Please read all use and care instructions before using The Midmark Hydraulic Column Surgery Table.

# Installation continued

## To install optional casters:

If using the optional casters, unscrew metal adjusting feet and screw casters into the same threaded holes. The caster set includes four locking swivel casters and four caster spacers.

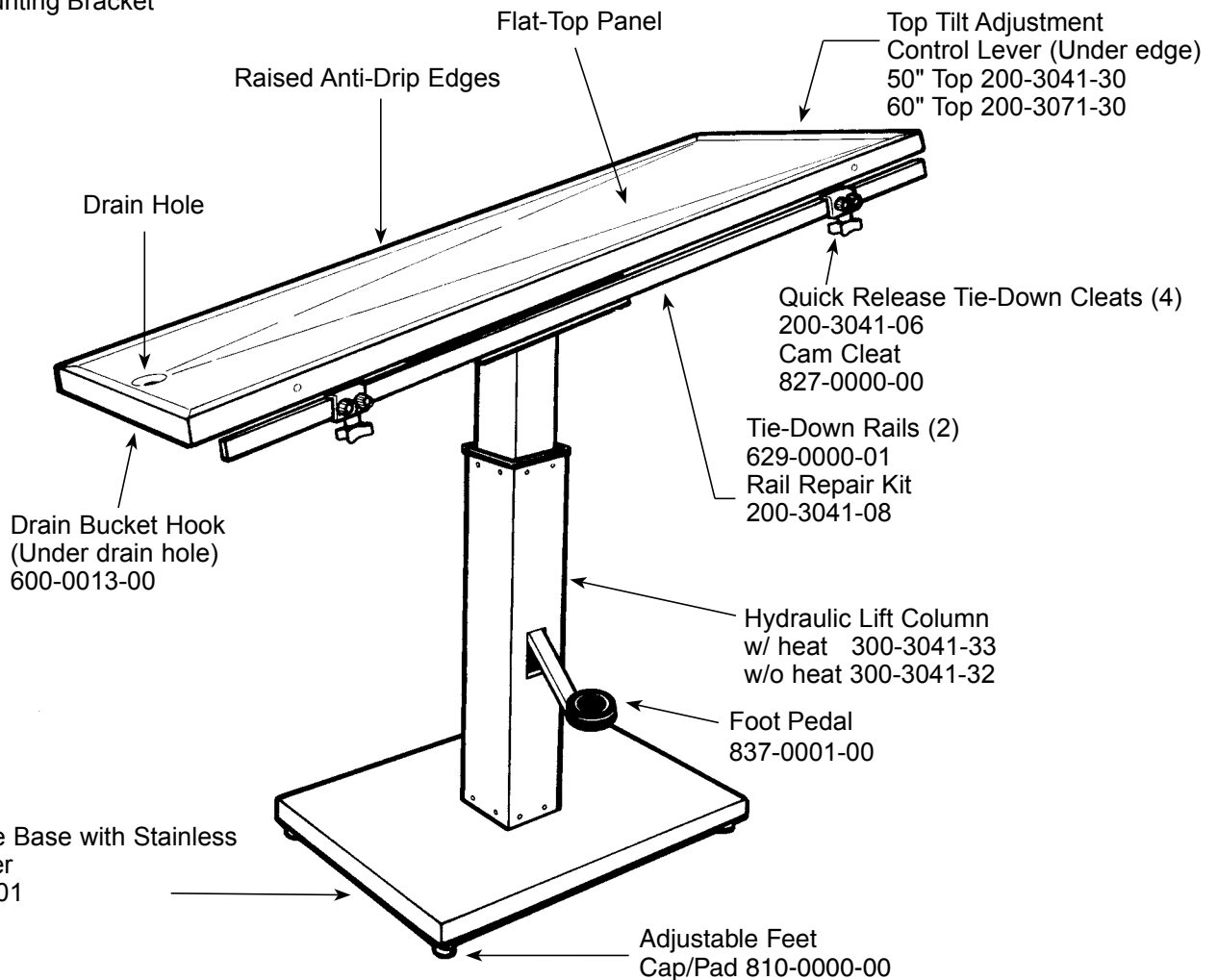
- Remove leveling foot pad from surgery table base. **(If replacing caster, lock swivel lock on caster and remove old caster from base plate.)**
- Lock swivel lock on replacement caster assembly.
- Thread replacement caster's mounting stud into surgery table base plate. Turn entire caster assembly to tighten into base plate.
- Unlock caster swivel lock. With 3/4" wrench on secure caster to table base plate.



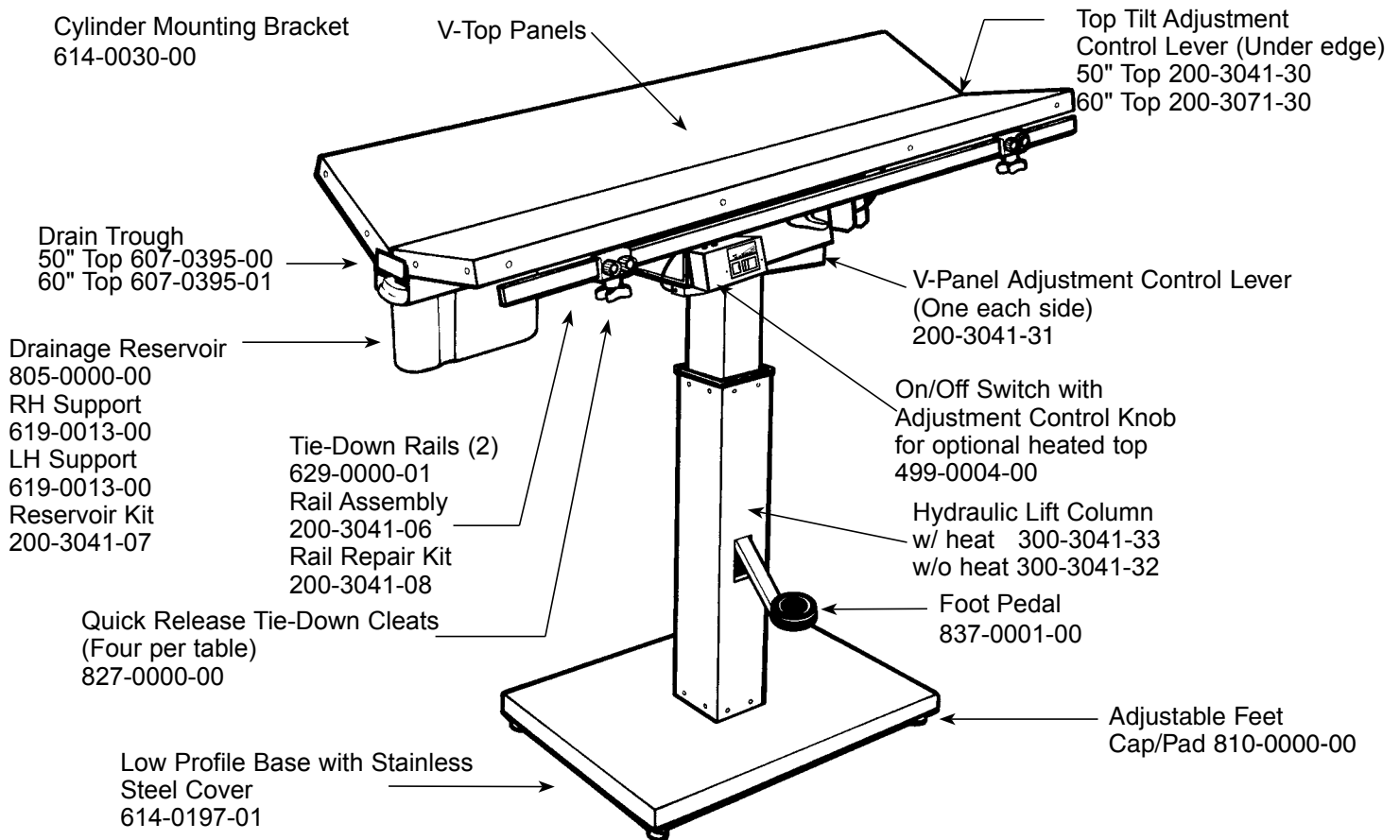
**For maximum service life, caster mounting stud should be periodically checked for tightness with 3/4" wrench.**

## Flat-Top Parts Identification

Cylinder Mounting Bracket  
614-0030-00



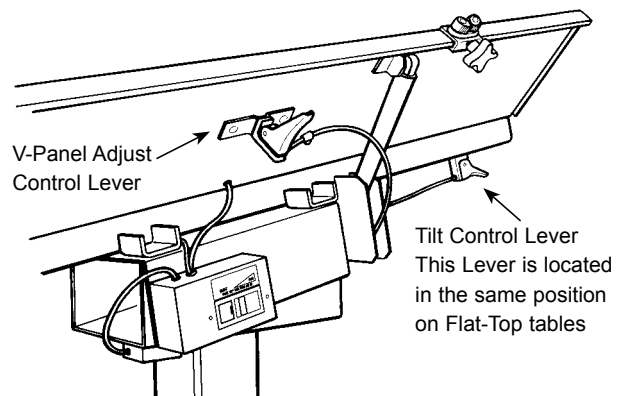
# V-Top Parts Identification



## Features/Operation

### Tilt & V-Top Angle Adjustment:

The Midmark Hydraulic Surgery Tables are designed for easy one-handed adjustment of table tilt and V-top panel angles. Simply depress the desired touch control lever while simultaneously adjusting the top angle. Release the lever and the panel is locked solidly in place. Refer to the drawing on right for control lever locations.

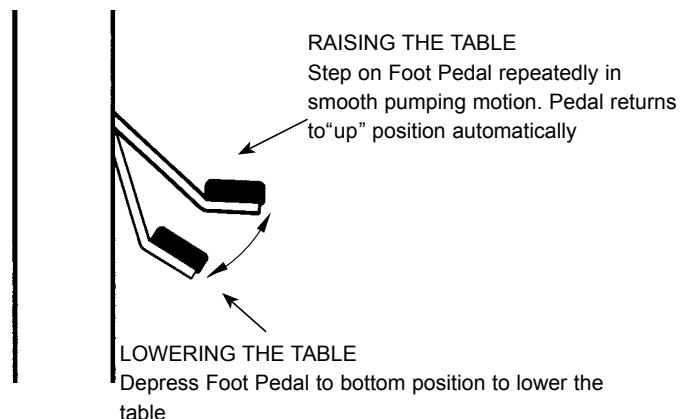


### Operating The Hydraulic Column:

To raise the height of the table, step on the foot pedal repeatedly in a smooth pumping motion until desired height. Depress the pedal only until meeting greater resistance (if you depress the pedal until it stops, you are releasing the hydraulic cylinder, in effect lowering the table).

To lower the height of the table, depress the pedal completely and hold until the table "sinks" to the desired position.

To keep the hydraulic pump properly lubricated, the table should be raised to the highest position and then lowered completely, at least once a week. When not in use, store table in lowest position.



## Features/Operation continued

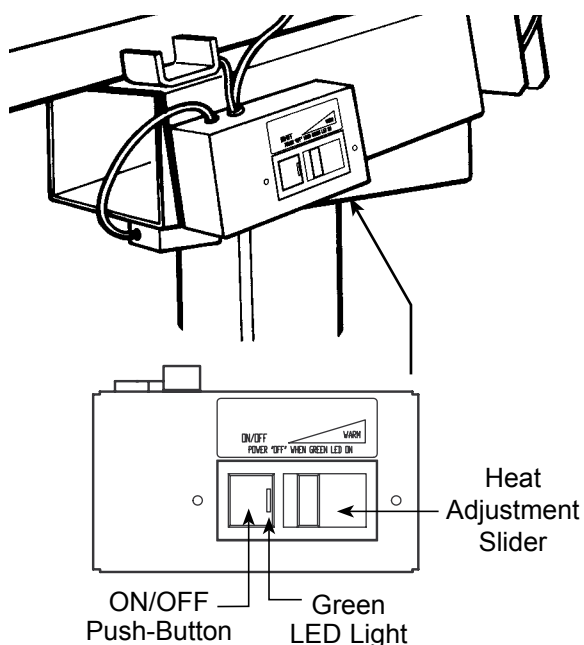


### WARNING

Covering animal during surgery will trap heat generated from the top, resulting in an excessive rise in temperature. This may burn the animal. All patients on the heated top tables should be monitored continuously to prevent over-heating.

### Heated Top Option:

The optional heated top provides thermal support to help prevent hypothermia during surgery. The heated top should be between 10° and 15° above ambient room temperature; however, all patients should be monitored continuously to prevent any possible over-heating.



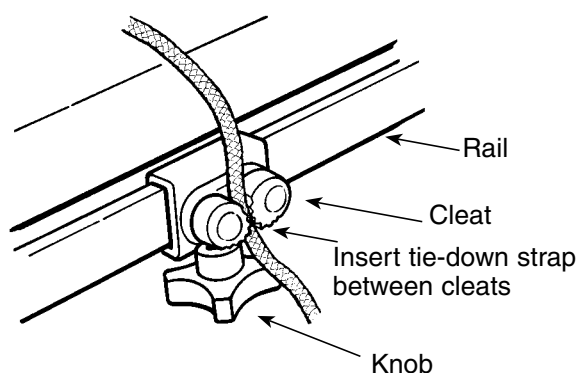
Heat control operating instructions:

1. Activate heat control by pushing the button to turn green light off.
2. Adjust table top heat to desired temperature by moving switch slider right to increase and left to decrease. Allow 15 minutes for uniform table top temperature.
3. Deactivate heat by pushing the button to turn green light on.
4. The green light is a visual indication that heat is OFF.

### Rails & Cleats:

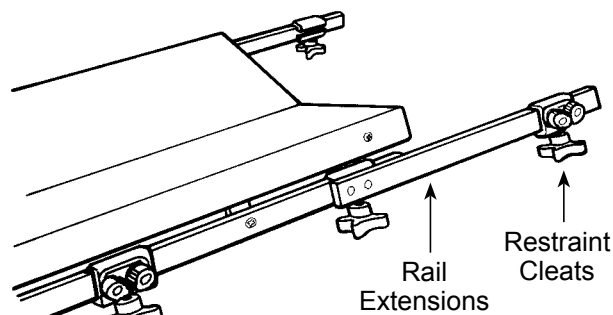
Tie-down rails are mounted to the table edges for easy access quick-release restraint cleats are always at the same height as your patient's body. Cleats may be moved to any position along the length of the table by loosening the knob that clamps the cleat to the rail.

Quick-release restraint cleats allow one hand operation. Tie-down straps slip easily into the cleats to hold the patient securely in place. To release, simply pull the tie-down strap in a downward, outward motion.



### Rail Extensions:

All tables may be ordered with an optional pair of 14" long rail extensions to accommodate larger animals. Each pair of extensions includes two quick-release restraint cleats.



### V-Top Drain Trough:

V-top surgery tables feature a removable drain trough for easy cleaning. To remove the drain trough, first lower the V-panels to the flat position. The drain trough will slide out of the "uphill" end of the table.

## Features/Operation continued

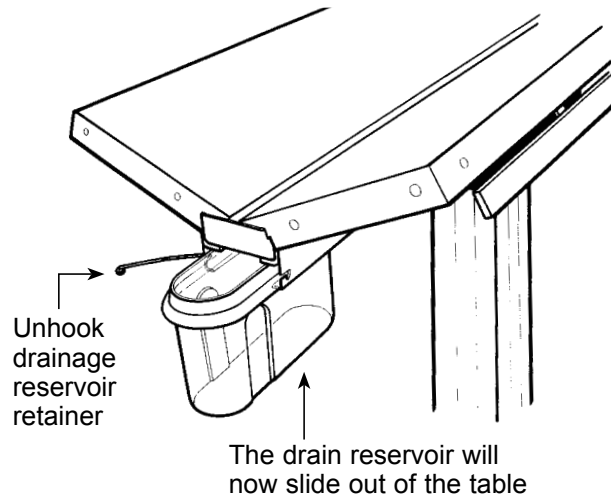
---

### Flat-Top Drainage:

The flat-top surgery table drains into a stainless steel bucket (not included). Refer to “Accessories”, for ordering information.

### V-Top Drainage Reservoir:

V-top surgery tables feature a slide-out drainage reservoir that catches waste fluids as they drain from the drain trough. To remove the drainage reservoir for cleaning, unhook the metal retainer hook and slide the reservoir out.



## Troubleshooting

---

In the event that a problem occurs, a Midmark technician is ready to assist you. Call Midmark for assistance before attempting any repairs.

**Midmark Technical Support:**  
**1-800-643-6275**

## Care & Cleaning

---

The Midmark Hydraulic Surgery Table may be cleaned with any commercially available product recommended for use on stainless steel. Frequent cleaning will prolong life and help maintain the natural luster of the stainless steel.

To prevent scratching, use a soft cloth to clean top. If scrubbing is necessary, use a nylon or plastic type scrubber. When cleaning, always rub in the direction of the “grain” of the metal.

To remove minor scratches, we recommend using a 3M ScotchBrite® scouring pad rubbed lightly in the direction of the “grain” of the metal.

**Never use steel wool or steel brushes when cleaning your surgery table.** Steel particles may become embedded into the stainless steel and cause rust.

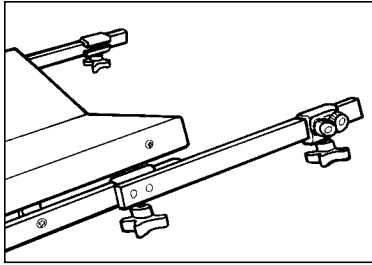
### **Avoid use of chlorine bleach for cleaning.**

Chlorides, bromides, iodides and thiocyanates will cause pitting, corrosion and discoloration of any stainless steel. If using bleach, clean thoroughly with water to completely remove bleach residue.

### **Avoid excessive moisture.**

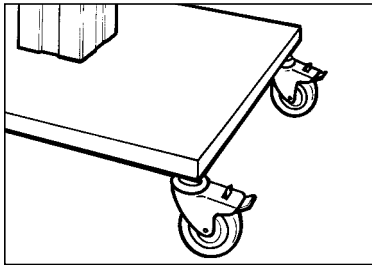
The Midmark Hydraulic Surgery Table contains electronic components that may be damaged by excessive exposure to moisture. When cleaning or mopping the floor, do not leave the table in standing water. For thorough cleaning, remove the drainage trough and reservoir and wash separately. Refer to “Features/Operation” for removal instructions.

# Accessories



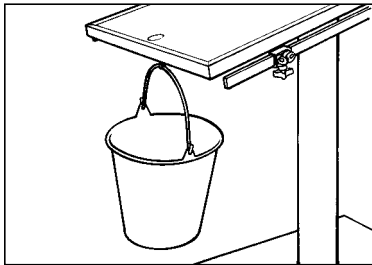
All tables may be ordered with an optional pair of 14" long rail extensions to accommodate larger animals. Each pair of extensions includes two quick-release tie-down cleats.

No. 200-3041-01 Rail Extension Set with Cleats



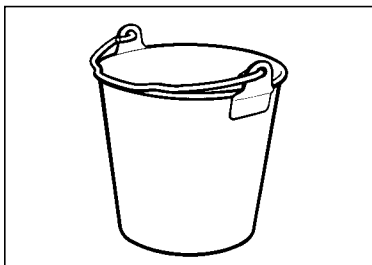
Casters may be ordered with any surgery table to provide easy mobility. Each set includes four locking casters. Locking casters lock and unlock easily with step-on control. Casters will raise the height of the table 4".

No. 200-3041-05 Caster Set for Surgery Tables



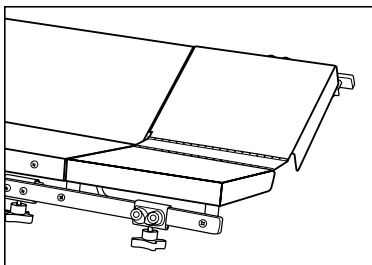
For flat-top surgery tables, the 13 quart drip bucket easily handles large volumes of fluids. Stainless steel construction is extremely durable and easy to clean.

No. 200-3041-02 Large Drip Bucket, 13 qt.



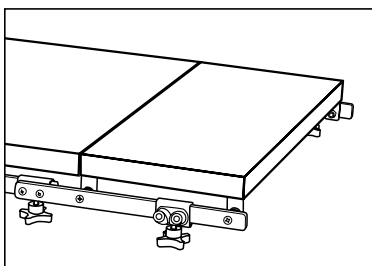
For flat-top surgery tables, the 2 quart drip bucket is available for smaller volumes of fluids. Durable stainless steel construction is easy to clean.

No. 200-3041-03 Small Drip Bucket, 2 qt.



10" stainless steel table top extensions for V- top surgery tables are available. Extensions may be added to each end. Two extensions provide 20" of additional work surface length. **For 50" table only.**

No. 200-3041-10 V-Top Extension



10" stainless steel table top extensions for flat-top surgery tables are available. Extensions may be added to each end. Two extensions provide 20" of additional work surface length. **For 50" table only.**

No. 200-3251-10 Flat-Top Extension



# ***Product Warranty***

---

This product is warranted for 1 year from the date of delivery to the original purchaser only. If equipped with an electric column, the column is warranted for 2 years. Warranty is only applicable if customer complies with all instructions and specifications furnished by Midmark relating to installation, care, and application. Customer agrees that they will not modify, misapply, or misuse product in any manner which deviates from the Midmark instructions. Any repairs, alterations, or services provided by parties other than Midmark or its authorized representatives may void warranty. The buyer is responsible for all freight charges on returned items.

# ***Product Satisfaction Policy***

---

In the event that the customer is not fully satisfied with the products purchased, Midmark may, at its own discretion, arrange for the customer's account to be credited (excluding shipping charges) or replace the product. The customer must notify Midmark of any claim of nonconformity or defect in writing within 30 days from the date of receipt. The product must be returned to Midmark in its original packaging, undamaged and showing no unusual wear within 20 days of the customer's written notice.

To return an item, follow these simple instructions:

- Call Midmark for complete instructions (800-643-6275)
- A sales representative will give you a Return Authorization Number
- If a Restocking Fee applies, you will be informed at this time
- Label the boxes with this Return Authorization Number  
(All items must have a Return Authorization Number)
- Return the items, postage/freight prepaid

If necessary, the Midmark sales representative will assist you with freight arrangements.

Note: Custom orders and/or custom colors may not be returned.

## **Midmark Corporation - Carthage Facilities**

1000 Civil War Road  
Area 5  
Carthage, MO 64836  
[1-800-643-6275](tel:1-800-643-6275)

