



Surgical Light

# AIM-100<sup>®</sup>

The perfect combination of light intensity, performance, limitless rotation and unparalleled aesthetics.



burton<sup>®</sup>

Surgical Light

# AIM-100

Limitless rotation, class-leading intensity and endless versatility.

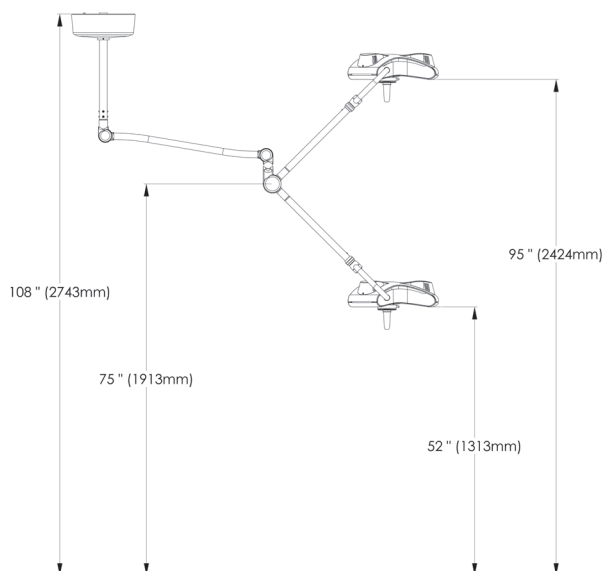
Providing both amazing value and unparalleled aesthetics, Burton's AIM-100 also boasts limitless rotation on ceiling mounts (a feature previously available only on OR type lights). Along with highest intensity illumination, AIM-100 delivers very smooth focus and superior maneuverability. A longer arm system ensures it can be positioned in the widest range of positions possible, making it ideal for outpatient procedures in a variety of settings and practices including trauma centers, ERs, ambulatory surgery centers, ICUs, physician offices, clinics, plastic surgery, dermatology, and ophthalmology

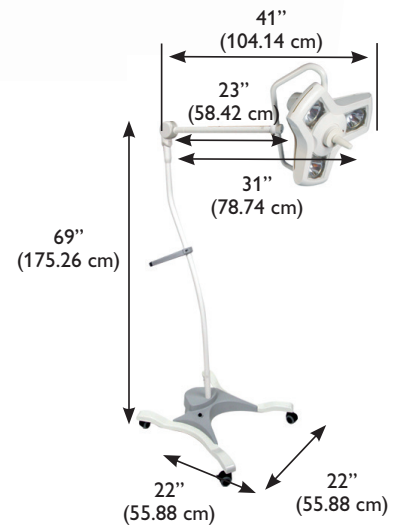
Designed to meet even the most demanding healthcare facility's specifications for high-intensity, cool operation and low cost.



## Features

- High-intensity of 63,000 lux (5852 fc) at 1 meter (per lighthead on double ceiling model)
- 3500 K color temperature offers natural and true coloring
- High CRI (Color Rendering Index) of 97
- Uses three quartz halogen bulbs – each rated with a 2000-hour bulb life. Bulbs wired in parallel for continuous operation
- Compact 20" (51 cm) diameter lighthead
- Extremely smooth focus mechanism with center sterilizable handle
- 360° limitless arm and mounting system rotation around vertical axes (on single ceiling models)
- Cool operation for long hours of use
- 120V standard; 100 and 230 / 240V models available
- IEC/UL 60601-1 / IEC 60601-2-41 / IEC/EN 60601-1-2; CAN/CSA C22.2 601-1 M90 certified
- 5-year limited warranty
- Assembled in USA





## Ordering Information

### AIM-100

120V Model	230/240V Model	230V SP Model*	100V Model	Description
A100FL	A103FL	A102FL25	A101FL	Floor Stand
A100SC	A103SC	A102SC25	A101SC	Single Ceiling Mount
A100DC	A103DC	A102DC25	A101DC	Double Ceiling Mount
A100W	A103W	A102W25	A101W	Wall Mount

### ACCESSORIES

Model	Description
1017111PK	Set of 3 AIM-100 Replacement Bulbs
1017040	Sterilizable / Autoclavable Handle
0008100PK	Disposable Handle Covers, 25/box
1017084	42" Drop Tube

\*SP Model refers to Spanish Language Manuals.

# Summary of technical data

## AIM-100

Illuminance:	63,000 Lux (5800 fc) at 1 meter
Color Temperature:	3500 Kelvin
CRI (Color Rendering Index):	97
Light Source:	Halogen 35W, 12V, bi-pin
Power:	133 Watts
Total Weight:	54 lbs. (Floor Stand), 61 lbs. (Single Ceiling)
Diameter of Lighthouse:	20" (51 cm)
Light Field Diameter:	9.6" - 12" (25 cm - 31 cm)
Depth of Illumination:	47" (119 cm)
Focusing:	Adjustable by rotating center handle
Rotation:	360° (limitless) on Single Ceiling
Sterilizable Handle:	Locks into position with one hand
Number of Bulbs:	3
Rated Lamp Life:	2,000-hour
Swivel Radius of Lamp Housing-Ceiling Mounted:	63" (160 cm) max.*
Minimum Ceiling Height/Maximum Ceiling Height:	8 ft. / 12 ft. (244 cm / 366 cm)
Height Movement of Lamp Housing-Ceiling Mounted:	41" (104 cm) vertical movement
Mounting Options:	Single Ceiling, Double Ceiling, Floor and Wall
Seismic Calculations Available:	Yes
Bulb Change Mechanism:	Changes from top with Philips screwdriver
Replacement Bulbs:	AIM-100 replacement bulbs, sterilizable handles and disposable handle covers are available
Applications:	Emergency Room, Trauma Center, Cath Lab, Outpatient Surgery, Ophthalmology and Clinics
Certifications/Approvals:	IEC/UL 60601-1 / IEC 60601-2-41 / IEC/EN 60601-1-2; CAN/CSA C22.2 601-1 M90 certified
Product Warranty:	5-year limited warranty
Origin:	Assembled in the USA

Note: The optical data are nominal values based on measurements calculated according to UL/IEC performance standards at 100v - 240v applications

\* With extension arm and spring arm extended from center of mount to center of head



© 2018 Burton Medical. All rights reserved. Burton Medical reserves the right to make changes in specifications and/or to discontinue any product at any time without notice or obligation and will not be liable for any consequences resulting from the use of this publication.

**burton®**

Burton Medical, LLC  
2300 W Windsor Ct., Suite C  
Addison, IL 60101 USA  
Phone (800) 444-9909, Fax (800) 765-1770  
Burtonmedical.com