



# CALMER CANINE™ USER MANUAL

DEVELOPED BY  **ASSISI**  
ANIMAL  
HEALTH



# CALMER CANINE™ SYSTEM



## VEST SIZING GUIDE

Calmer Canine vest is available in 5 sizes.

Using a soft measuring tape or piece of string, measure your dog's neck and chest area.



NECK 6"-9"  
CHEST 10"-15"



NECK 9"-12"  
CHEST 15"-20"



NECK 12"-15"  
CHEST 20"-25"



NECK 15"-19"  
CHEST 25"-32"



NECK 19"-23"  
CHEST 32"-39"

# Welcome to Calmer Canine™

Thank you for purchasing the Calmer Canine Anxiety Treatment Device. This innovative solution effectively reduces anxiety in dogs through targeted, pulsed electro-magnetic field (tPEMF™) therapy.

## TABLE OF CONTENTS:

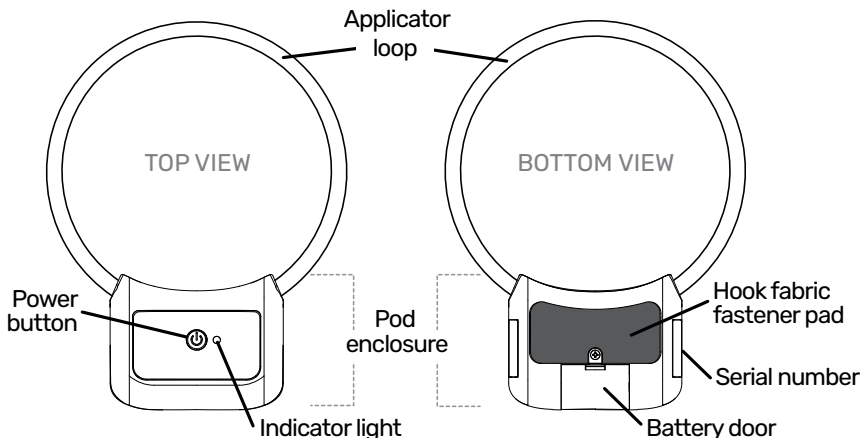
Convenience Vest.....	2	What to Expect .....	9
Safety Warnings.....	3	Care and Maintenance.....	10
Introducing Your Dog to the System.....	4	Battery Replacement.....	11
Fitting the Vest.....	5	How to Dispose of the Device.....	12
Attaching the Device.....	6	For More Information.....	12
Vest-Free Use.....	7	Technical Specifications.....	13
Beginning Treatment.....	8		

## THE CALMER CANINE DEVICE

- The battery-powered device features a pod enclosure and an integrated applicator loop that delivers the tPEMF therapy.

To accommodate dogs of different sizes, the applicator loop is available in two diameters: 5 inches and 7 inches.

- The device may be purchased alone, or as a System (which includes the Calmer Canine Convenience Vest)

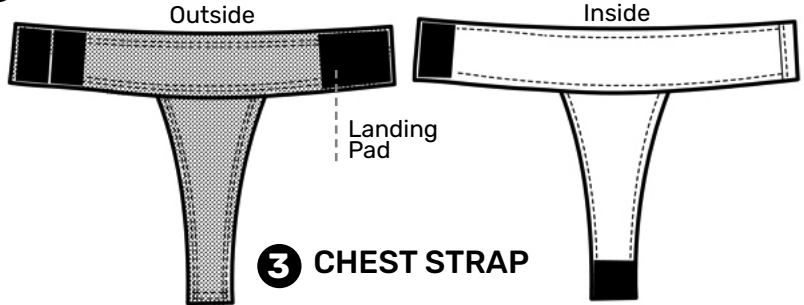


# CALMER CANINE CONVENIENCE VEST

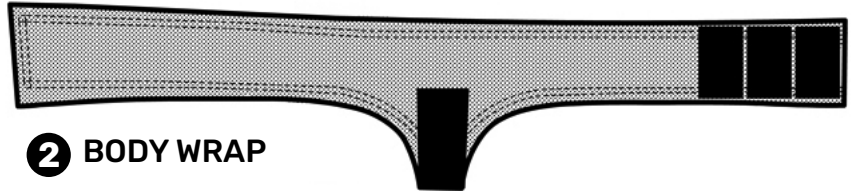
The Calmer Canine Convenience Vest is a harness system that holds the device in the correct position during treatment. For dogs that are not comfortable wearing garments or are reactive to the sound of hook-and-loop fasteners, the device can be held by hand in the proper position without the vest.

1. Neck wrap, which features the landing pad the device (No. 4) attaches to
2. Body wrap
3. Chest strap connects the neck wrap to the body wrap

## 1 NECK WRAP



Outside

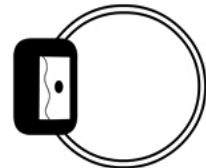


## 2 BODY WRAP



Inside

## DEVICE 4





## SAFETY WARNINGS

- DO NOT use the Calmer Canine device if you or your dog have an implanted electronic medical device, such as a pacemaker or insulin pump. The device is safe to use on dogs with microchips.
- DO NOT use in the presence of a flammable anesthetic mixture with air, or with oxygen or nitrous oxide, or in oxygen-enriched atmospheres.
- DO NOT use on or near any other electromagnetic devices, such as lasers or magnets. This could damage the device and reduce the effectiveness of the treatments.
- Check the applicator loop and pod before each use to make sure they are in good condition. DO NOT bend or stretch the coil, which could damage the device and reduce the effectiveness of the treatments.
- Treatments should be given indoors only. The Calmer Canine device is not weatherproof and is not intended for outdoor use.
- Although the device is resistant to minor water splashing, it is not waterproof. DO NOT immerse it in water or allow your dog to wear it in the rain.
- DO NOT leave your dog unsupervised with the Calmer Canine device.
- DO NOT let your dog wear a metal collar, such as a prong collar, or sit on or near a large metal surface, such as a wire crate during treatments. Metal can reduce the effectiveness of the treatment. (A metal ID tag will not affect the device.)
- Remove any electronic devices from your dog (e.g., electronic training collars, activity monitors) before using Calmer Canine, as these may reduce the effectiveness of the treatment.
- The lithium battery is not rechargeable. To avoid risk of fire, DO NOT attempt to recharge.
- DO NOT allow your dog to chew on or ingest the device.

*NOTE: While in use, the Calmer Canine device can interfere with TVs, radios, citizen band radios, telephones and other devices that produce, detect and amplify radio signals. (Cell phone and Wi-Fi signals are not affected.) The interference may cause the distortion of a TV picture or be heard as a repetitive “tick” in an FM radio. The interference will not damage these devices.*

## SAFETY SYMBOLS

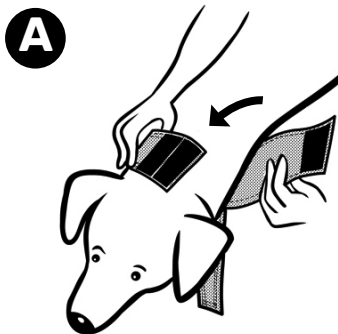
SYMBOL	PUBLICATION	DESCRIPTION
	EN 980-2003 No. 5.8	Consult the User Manual for instructions on use

SYMBOL	PUBLICATION	DESCRIPTION
	Directive 2006/66EC Annex 2	Requirement for the separate collection of batteries

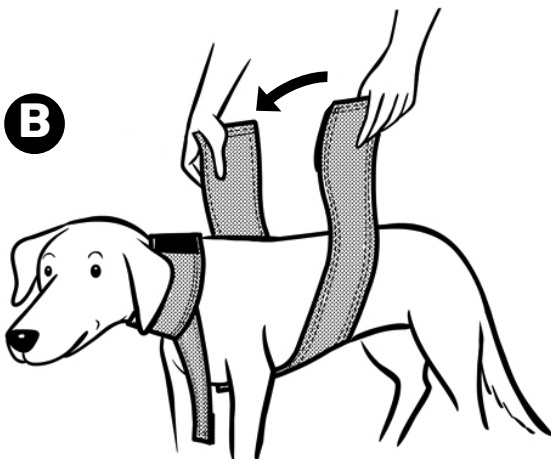
## INTRODUCING YOUR DOG TO THE SYSTEM

For the best treatment experience, it's important for your dog to feel comfortable wearing the vest and have a positive association with the Calmer Canine system. Make sure you give your dog plenty of praise and treats as they get used to the vest!

**STEP 1** Position the neck wrap on your dog loosely at first, letting the chest strap hang down, start with short periods of time, without adding the device, and gradually adjust the neck strap so that it fits snugly. (Most dogs do not mind the neck wrap if they are used to wearing collars). **A**



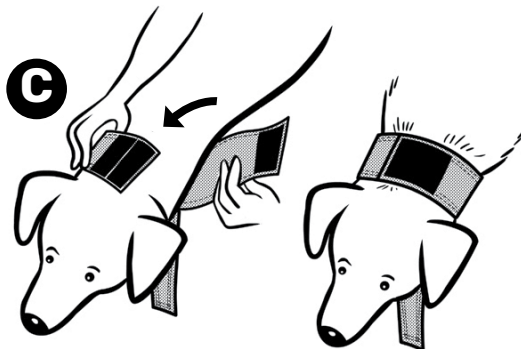
**STEP 2** Once your dog is comfortable with the neck wrap, add the body wrap loosely at first, gradually tightening it for a snug fit. **B** Once your dog is comfortable with the neck and body wrap you can attach the chest strap to the body wrap.



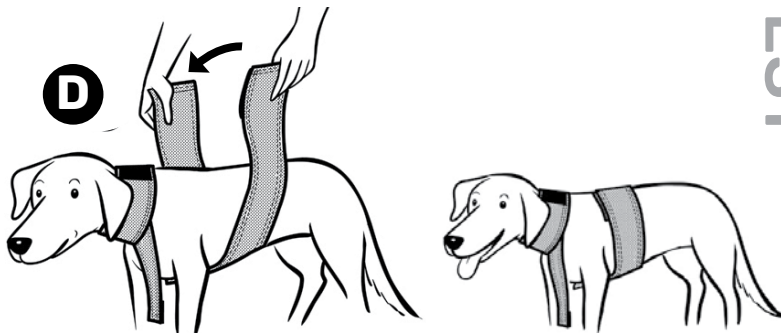
**STEP 3** Work your way up to letting your dog wear the vest around the house without the device.

## FITTING THE VEST

**STEP 1** Adjust the neck wrap so that it fits snugly—but not tightly—around your dog’s neck. The landing pad that holds the device should be centered at the back of their neck. Depending on the length of their neck, there may be a space between the wrap and the base of your dog’s head. **C**

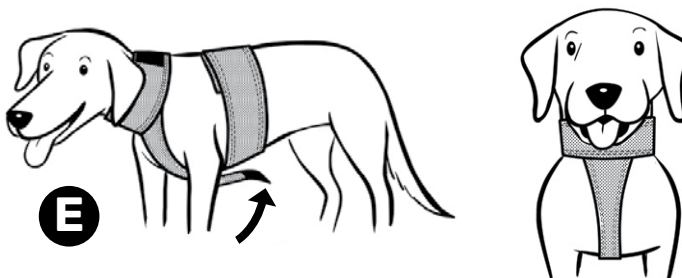


**STEP 2** Position the body wrap just behind their front legs. The wrap should be snug but not tight. **D**



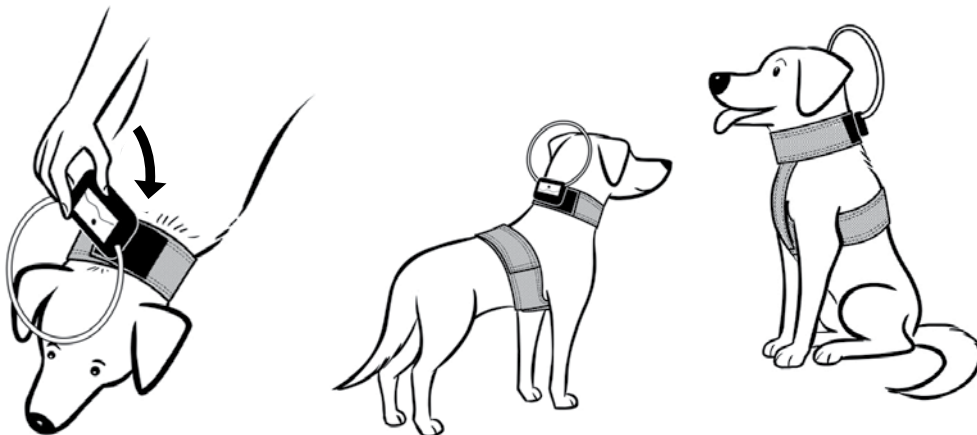
**STEP 3** Attach the chest strap so that it connects the neck wrap with the body wrap. The chest strap should fit comfortably but not too loosely. Adjust the neck strap, if needed. **E**

**TIP** For a better fit, you may remove your dog’s collar.



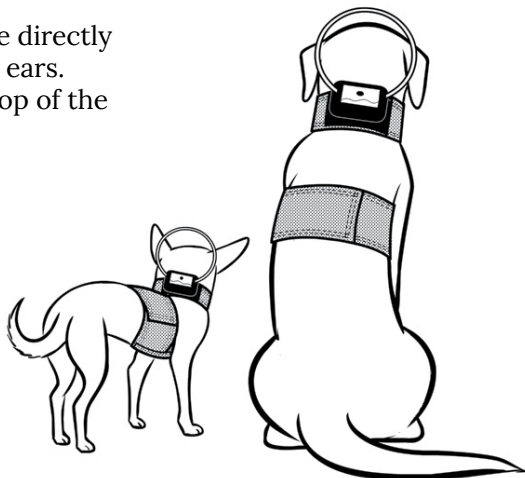
## ATTACHING THE DEVICE TO THE VEST

Once the vest is positioned on your dog, attach the device by connecting the hook-and-loop fastener on the back of the device to the landing pad on the back of the neck wrap. This enables you to give your dog a treatment session without holding the device in place. **F**

**F**

Ideally, the center of the applicator loop will be directly over the top of your dog's head, between their ears. The applicator loop can either gently rest on top of the head, or up to 4 inches above their head.

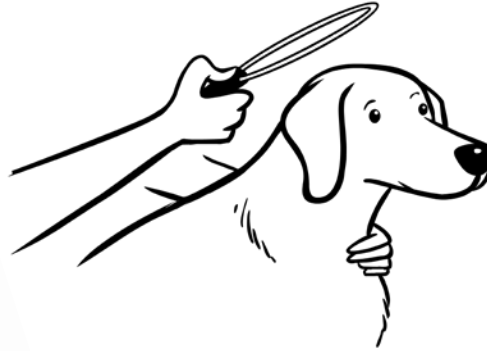
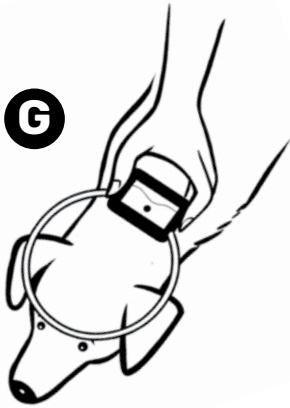
**TIP** If the device is pressing on your dog's head or resting over their eyes, you can move the device farther down on the landing pad. If the device is too far away from your dog's head, you can move it farther up on the landing pad.





## USING THE DEVICE WITHOUT VEST

If you are not using the vest, you may hold the Calmer Canine device by hand over your dog's head. You should position the device with the center of the coil centered over the area between your dog's ears. The device may rest on your dog's head or you can hold it off the head a few inches away. The device should be held no more than 4 inches from your dog's head during treatments. **G**



*Keep the device within 4 inches of your dog's head during treatments.*



## BEGINNING TREATMENT

**To Start:** Put the vest on your dog and attach the device. If not using the vest, hold the device in the proper position over your dog's head (see illustration G on page 7). Press the power button to turn on the device. You will see a flashing blue light, indicating the device is on. The device will remain on for 15 minutes before it automatically turns off.

**During Treatment:** Your dog should be supervised and remain indoors during treatment. If your dog is wearing the vest, they can lie down, sit or move around—whatever they prefer. Rough play or activity should be avoided because it could dislodge the device.

**NOTE:** *If you need to turn off the device before the 15-minute treatment cycle has ended, press the power button. The blue light should stop flashing, indicating the device is off.*



### TREATMENT TIPS:

- Only initiate a treatment session when your dog is calm. To help them relax, try taking them for a short walk.
- Give your dog plenty of praise and treats during sessions to reinforce their positive association with the system.

**After Treatment:** To remove the vest, undo the body wrap and then the neck strap. Store the Calmer Canine system in a safe place, out of your dog's reach, until the next session.

### TREATMENT SCHEDULE

For best results, we recommend two treatments a day, 8 to 10 hours apart. You should continue these twice-daily sessions for 4 to 6 weeks—or longer, if needed.

# WHAT TO EXPECT

## WHEN WILL YOU START SEEING RESULTS?

Every dog responds differently. You may notice results in just a few days, or it may take several weeks before you see any improvement. Even if you notice results early on, use the Calmer Canine device for a full treatment cycle: twice a day (8 to 10 hours apart) for 4 to 6 weeks. Some dogs need treatment for longer than 6 weeks before their symptoms improve sufficiently.

## WHAT RESULTS WILL YOU NOTICE?

Use of Calmer Canine, as directed, will lessen and may even eliminate your dog's signs of anxiety. For example, if your dog barks incessantly when you leave, you might see that after using Calmer Canine for 4 to 6 weeks, your dog may bark less or not at all when left home alone. Every dog is an individual, and each shows different signs of anxiety. We recommend that you use the online anxiety progress tracker to assess your dog's signs of anxiety before beginning treatment with Calmer Canine and to track weekly progress during the course of treatment. Visit [CalmerK9.com/anxiety-tracker](https://CalmerK9.com/anxiety-tracker) for tools to help you assess how well your dog is doing.

## HOW LONG DO THE EFFECTS LAST?

For some dogs, their symptoms resolve after 4 to 6 weeks with no further treatment needed. Other dogs need periodic treatment courses if symptoms return.

## WHEN TO STOP USING THE CALMER CANINE DEVICE

We recommend using Calmer Canine initially for 4 to 6 weeks, even if you see satisfactory improvement in your dog's signs of anxiety sooner. After this initial course of therapy, you may continue to use Calmer Canine until you are satisfied with the results. Some dogs may require treatment for longer than 6 weeks to achieve the desired results.

# CALMER CANINE CARE AND MAINTENANCE

## DEVICE

- As needed, wipe the Calmer Canine device with a soft cloth dampened with 70% or higher isopropyl alcohol.
- Wait for a minimum of 15 minutes before using the device to ensure all alcohol has evaporated.

## VEST

- **IMPORTANT:** Remove the device before washing the vest. The device is NOT waterproof.
- Machine wash the vest in warm water with mild soap. Tumble dry low or air-dry.



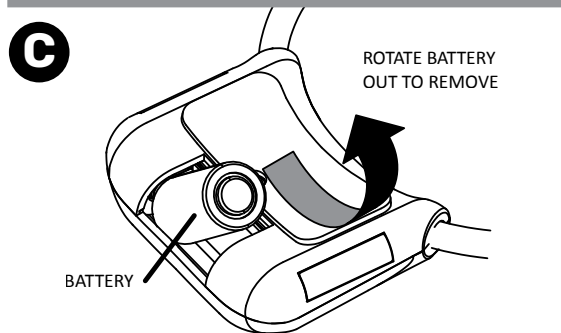
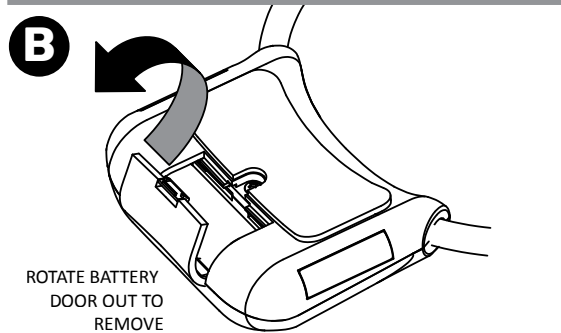
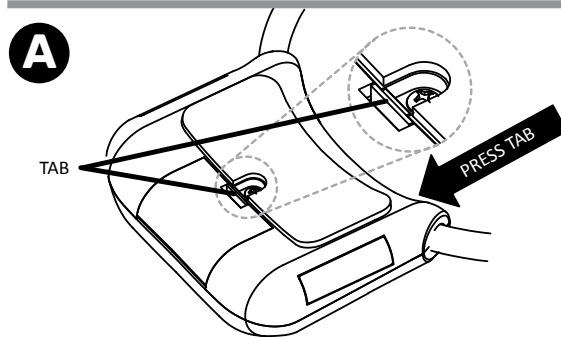
*NOTE: Aside from changing or accessing the battery, there are no user serviceable parts inside the main pod enclosure.*

# REPLACING THE BATTERY

The flashing orange indicator light signals the battery is depleted and needs replacing:

1. Remove the Calmer Canine device from the vest, if attached.
2. To remove the battery, press the battery tab located on the bottom of the pod. **A**
3. While pressing the battery tab, rotate the battery door out to remove it. **B**
4. Remove the depleted battery by rotating it out of the pod enclosure. **C**

**WARNING:** The lithium battery is not rechargeable. To avoid risk of fire, DO NOT attempt to recharge.



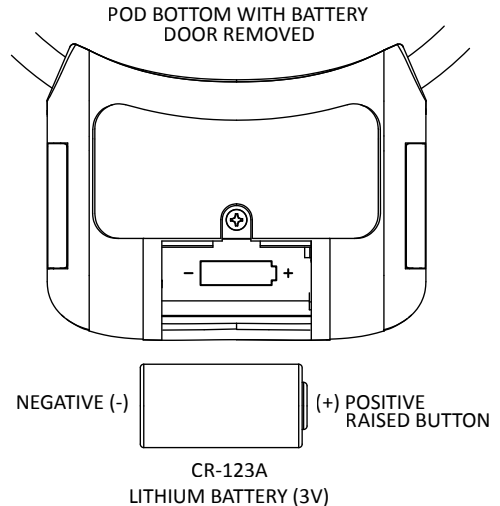
Please consult your local regulations for the proper disposal of depleted lithium batteries.

## INSERTING THE BATTERY

Use a fresh CR123A lithium battery. Panasonic® CR123A lithium batteries are recommended to ensure the device will perform as factory-tested.

Insert the battery with the positive and negative ends oriented as shown (pictured at right). **NOTE:** Inserting the battery incorrectly could damage the electronic circuits in the Calmer Canine device.

Replace the battery door, snapping the tab into place.



## HOW TO DISPOSE OF THE DEVICE

The Calmer Canine device is an electronic device containing a lithium battery. In certain jurisdictions, this may be considered hazardous waste. Please consult your local regulations for the proper disposal guidelines.

## FOR MORE INFORMATION

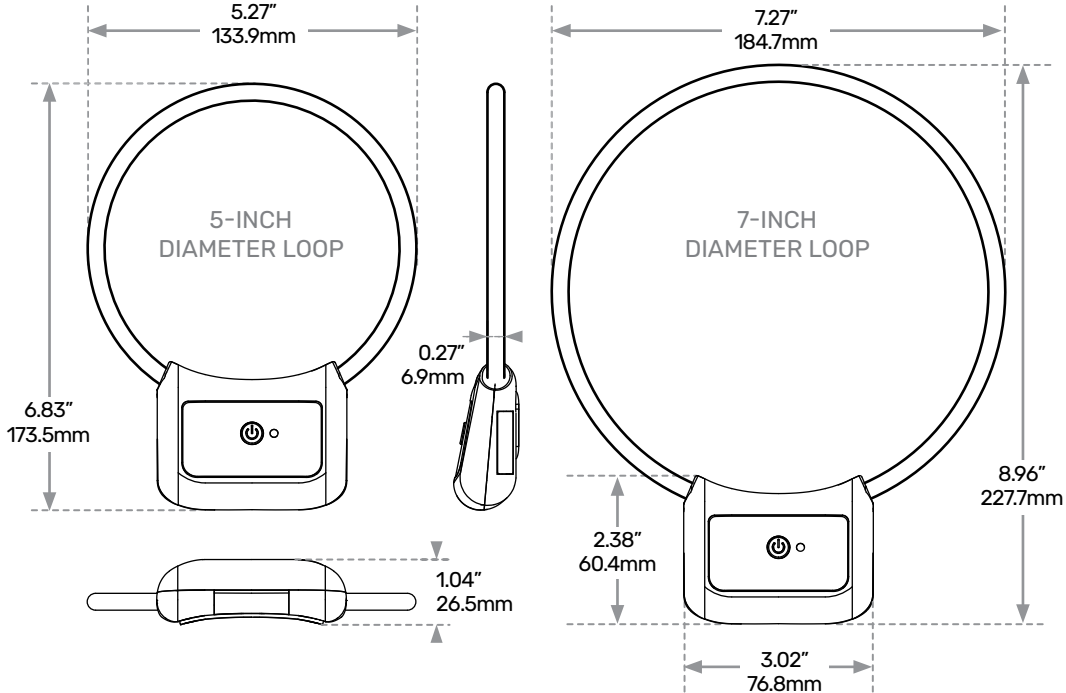
If you have any questions about the Calmer Canine Anxiety Treatment System, visit [CalmerK9.com](http://CalmerK9.com) or contact Assisi Animal Health:

Phone (toll-free in the U.S.): **1-866-830-7342**

Email: [Contact@CalmerK9.com](mailto:Contact@CalmerK9.com)

# TECHNICAL SPECIFICATIONS

## OVERALL DIMENSIONS



- Net Weight Without Packaging:  
5-inch Diameter Model: 70g (2.47oz)  
7-inch Diameter Model: 80g (2.82oz)
- Power Supply: CR-123A Lithium Primary Cell, 3 Volt, 15mA
- Storage Temperature: 3°F to 104°F (-16°C to 40°C)
- Storage Relative Humidity: 8% to 75% (noncondensing)
- Operating Temperature: 50°F to 95°F (10°C to 35°C)
- Operating Relative Humidity: 8% to 75% (noncondensing)



**CONTACT US ANY TIME: 866.830.7342**

**[Contact@CalmerK9.com](mailto:Contact@CalmerK9.com) | [CalmerK9.com](http://CalmerK9.com)**

Manufactured in the U.S.A. U.S. PATENT 7,744,524 and patents pending

V01-0919